



## INTRODUCTION

The ultrasonic level Indicator is a low-cost, non-contact and easy-to-install measurement device. It is able to meet the every-day needs of commercial production, as well serving a more specialized role in the technologically-advanced aero-space industry, thus placing it firmly in the category of high-level measurement technology. Unlike other level indicators with limited uses, the easy-to-install ultrasonic level indicator is a highly-accurate device with enough specialized uses to ensure that the needs of the customer are met.

## THEORY

The principle of operation of the ultrasonic sensor system is to use the ultrasonic pulses which are transmitted by the transducer to the surface to be monitored and are reflected back to the transducer, the time period between transmission and reception of the sound pulses is directly proportional to the distance between the transducer and surface. A micro-controller computes this time period for all echoes received and analyses them to determine which is the correct reflection from the material surface, it uses this data as the basis for giving control outputs and displays in usable engineering units. The distance D is determined from the velocity of sound  $v$  and the time period  $t$  by the formula:

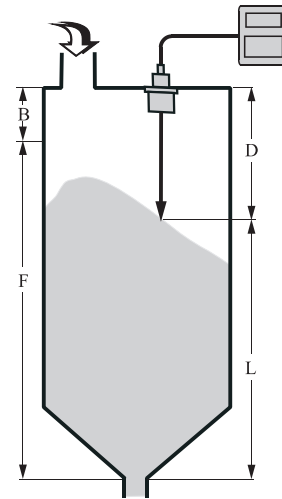
$$D = v \cdot t / 2$$

### Example:

With the velocity of sound  $v = 334.1$  M/s, a time period of 60m/s corresponds to a transmission path of 20.046M and thus to a distance of 10.023M.

## FEATURES

1. Not affected by media characters such as temperature, S.G, viscosity
2. minimum input: 1mm
3. Detector material: PP, PVD
4. Output: 4-20mA/ 2 wire or 4 wire
5. 4 digits LCD display.
6. max. measure range: 40M (EA-30)
7. Highest accuracy:  $\pm 0.2\%$ (EA-20)
8. Communication: RS485
9. Enclosure protection: IP65
10. Isolated analog output
11. With temp. compensation to increase accuracy
12. Beam angle: 5



B = Dead zone

D = Distance from transducer to material surface

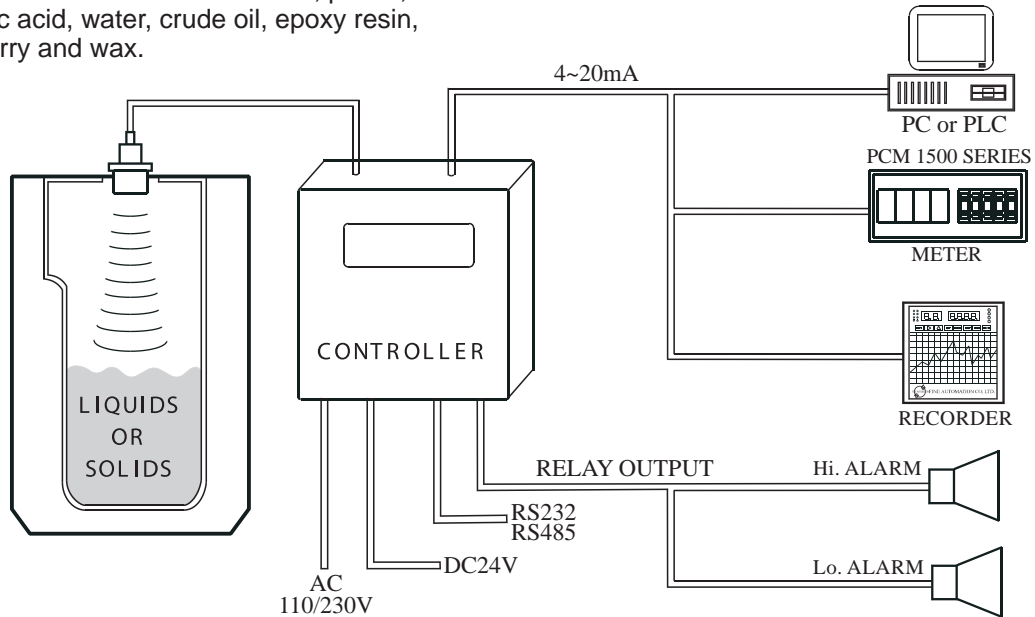
L = Silo height

## MAIN FUNCTION

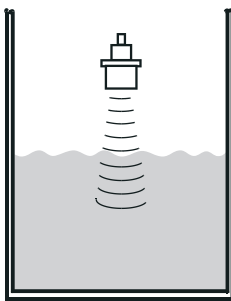
1. Level measurement (height above datum).
2. Distance measurement (distance from a datum).
3. Volume measurement.
4. Differential level measurement.
5. Open channel flow measurement.
6. Pump control.

# APPLICATION FIELD

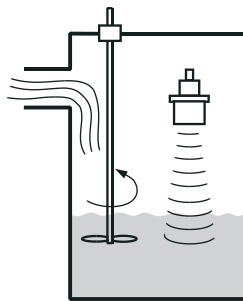
1. Sewage/waste water/tapwater treatment equipment. Such as silos, open channels, dams and wells.
2. Liquids such as edible-oils, sauces, diesel oils and beverages.
3. Chemical material such as solvent, paints, carbonic acid, water, crude oil, epoxy resin, lime slurry and wax.
4. Granular materials such as flour, wheat and com.
5. Chemical fibers, petrochemical materials such as plastic powders, plastic granules and plastic chips.



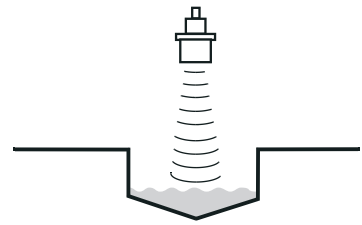
Liquid / Powder measurement



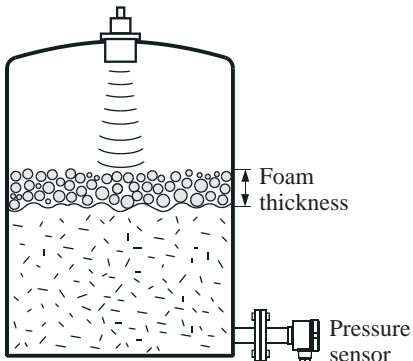
Silo with rotational aiming kit



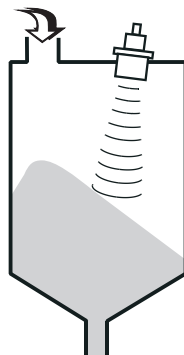
Flow measurement



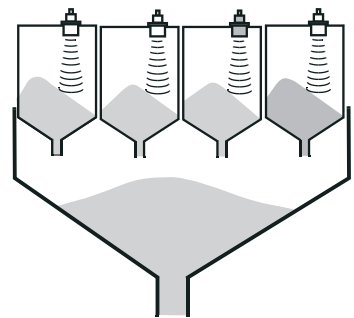
Foam thickness measurement



Measuring in agitator tank



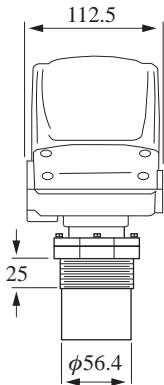
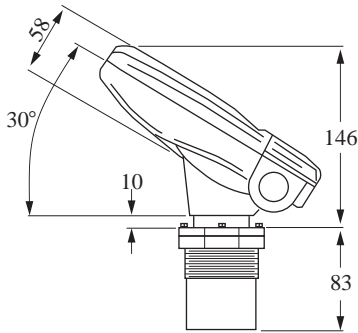
Material Mixing



# SPECIFICATIONS

Compact Type

**Model: EA-10P(CE)  
EA-10F(CE)**



Measuring Range:	Refer to Table (1)
Power Supply:	12~28VDC (0.1A surge)
Operating Temp. (In tank):	-40°C ~ +70°C (-40°F ~ 158°F)
Mounting Screw:	2" NPT(std.) / 2" BSP
Measurement Accuracy:	0.25% of measuring range
Resolution:	3 mm (0.11")I
Housing Type:	Integrated (MonoBlock)
Housing Material:	ABS + UV
Enclosure:	IP65
Beam Angle:	5 @ 3db point
Sensor Material:	Aluminum coated ECTEF
Sensor Housing:	EA-10P: PP, EA-10F: (PVDF)
Display:	LCD (4-digits 7 segments)
Loop current:	2-wire 4~20mA, 750 Ohm @28VDC
Weight:	1.5 Kg (3.3Lb)
Certificates:	CE (EA-10P/F) ATEX (ZMONOSCAN)

**Table (1)**

EA-10	Measuring Ranges	Dead Zone
For liquid (Standard)	15M (49ft.)	0.6M (2ft.)
For liquid (Short Range)	5M (16.5ft.)	0.25M (0.8ft.)
For solid (Standard)	8.5M (28ft.)	0.6M (2ft.)
For solid (Short Range)	5M (16.5ft.)	0.25M (0.8ft.)
For Open Channels	5M (16.5ft.)	0.2M (0.6ft.)

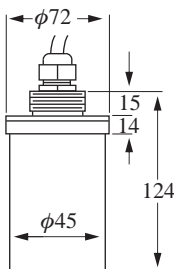
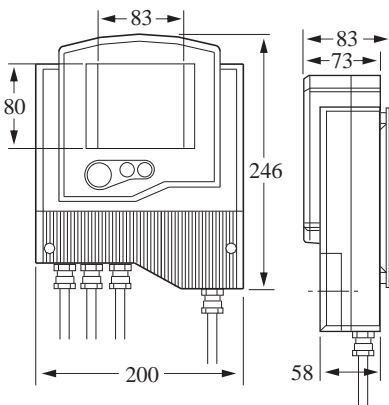
# SPECIFICATIONS

Separate type

## Model: EA-20



EAB-20 SENSOR  
Cable: 15M (std.)



Measuring Range:	Refer to Table (2)
Power Supply:	100~240 VAC, 50~60Hz (std.) (via external power supply)
Operating Temp. (In tank):	-40°C ~ +80°C (-40°F ~ 176°F)
Mounting Screw:	1"NPT( std.) / 1"BSP
Measurement Accuracy:	0.1~0.25% of measuring range
Resolution:	1 mm (0.04")
Housing Type:	Separate
Housing Material:	ABS + UV
Enclosure:	IP65
Beam Angle:	5 @ 3db point
Sensor Material:	Glass reinforced Epoxy
Sensor Housing:	PP (std.) / PVDF
Display:	LCD
Communication:	RS485
Loop Current:	4 wire 4~20mA, 750 Ohm @24VDC
PC Interface/ Remote Prog.:	Options: RS232, RS485
Trigger Points:	10 points (level)
Relays:	5 Independent SPDT, 2A/ 30VDC/ 220VAC
Weight:	2.5 Kg (5.5Lb)
Enclosure Dimensions:	272mm x200mm x 85mm
Certificates:	CE, FCC, 3A

It's only available for one controller to drive one sensor.

**Table (2)**

EA-20	Measuring Ranges	Dead Zone	Accuracy
For liquid	12M (39ft.)	0.4M (1.3ft.)	0.2% of Measuring Range
For solid	8.5M (28ft.)	0.4M (1.3ft.)	0.25% of Measuring Range
Open Channels	12M (39ft.)	0.4M (1.3ft.)	0.2% of Measuring Range
Diameter	3M (8.2ft.)	0.5M (1.6ft.)	0.1% of Measuring Range

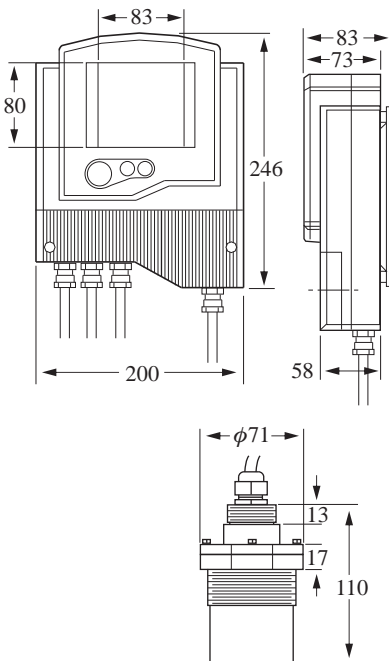
# SPECIFICATIONS

Separate type

## Model: EA-30



EAB-30 SENSOR  
Cable: 25M (std.)

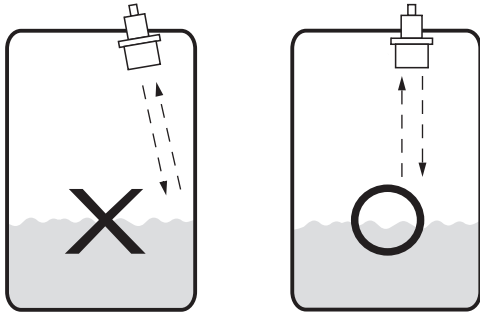


Measuring Range:	Standard: 25M for Liquids 20M for Solids Option: 40M for Liquids (Max) 30M for Solids (Max)
Power Supply:	100~240 VAC, 50~60Hz (std.) (via external power supply)
Operating Temp. (In tank):	-40°C ~ +80°C (-40°F ~ 176°F)
Mounting Screw:	1"NPT/2"NPT(Std.) or 1"BSP/2"BSP
Measurement Accuracy:	0.25% of measuring range
Resolution:	1 mm (0.04")
Housing Type:	Separate
Housing Material:	ABS + UV
Enclosure:	IP65
Beam Angle:	5 @ 3db point
Sensor Frequency:	25KHz
Sensor Housing:	PP (std.) / PVDF
Display:	LCD
Communication	RS485
Loop Current:	4 wire 4~20mA, 750 Ohm @24VDC
PC Interface/ Remote Prog.:	Options: RS232, RS485
Trigger Points:	10 points (level)
Relays:	5 Independent SPDT
Weight:	2.5 Kg (5.5Lb)
Enclosure Dimensions:	272mm x200mm x 85mm
Certificates:	CE, FCC, 3A

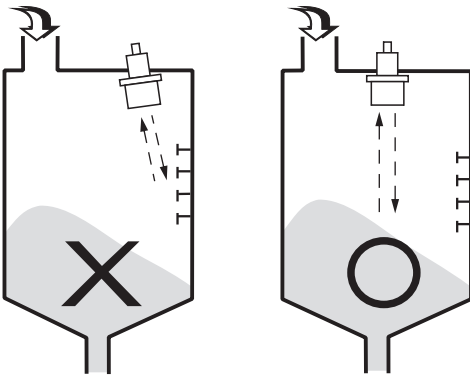
It's only available for one controller to drive one sensor.

# INSTALLATION

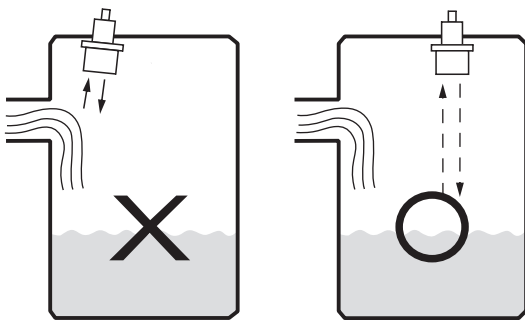
Keep transducer perpendicular to liquid.



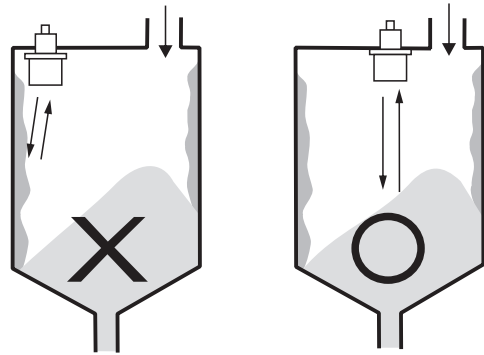
The transducer should not be mounted too close to the tank wall, the bracket can cause strong false echoes.



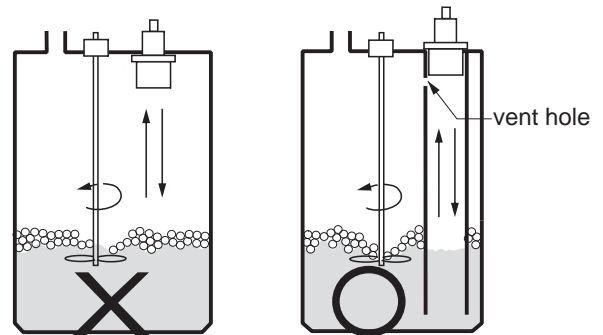
Mount the transducer away from the inlet to avoid false echoes.



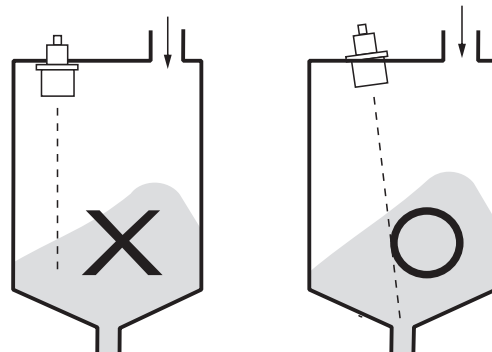
The transducer should not be mounted too close to the tank wall, the build-up on the tank wall cause false echoes.



As is illustrated by the figure on the right, the transducer should be mounted on the top of guide tube to prevent the false echoes from turbulence and foam. The guide tube should come with a vent hole at top of the tube to allow the liquid vapor go out of the tube.

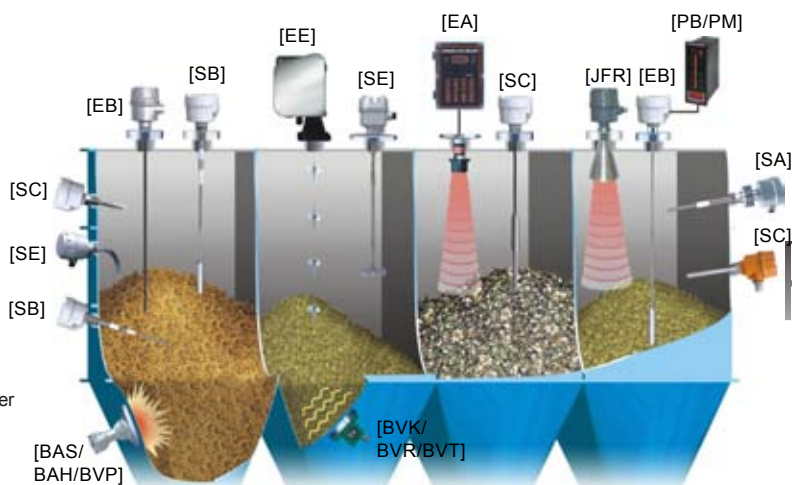
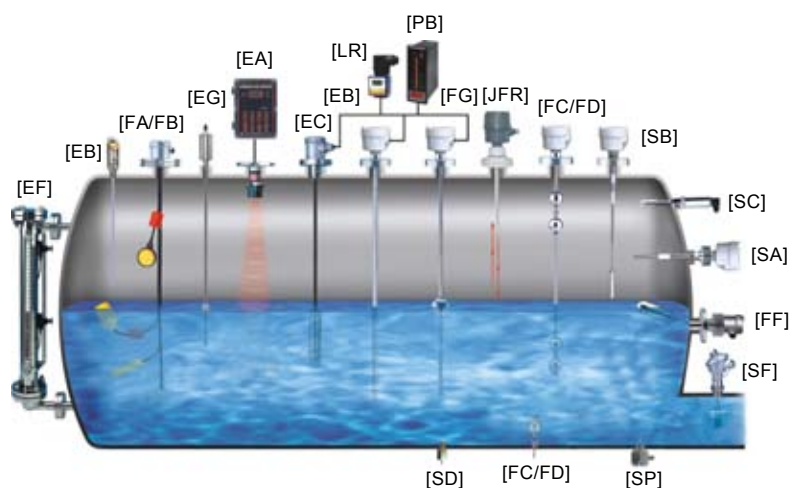


When you mount the transducer on the solid tank, the transducer must point to the tank outlet.



# EXAMPLES-OF-TANK-MOUNTING

- [FC/FD] Mini Float/Magnetic Float Level Switch
- [FG] Magnetic Float Level Transmitter
- [FF] Side Mounting Float Switch
- [FA/FB] Cable Float Level Switch
- [SP] Thermal Dispersion Flow Switch
- [SF] Paddle Flow Switch
- [SD] Optical Level Switch
- [SE] Rotary Paddle Level Switch
- [SA] Capacitance Level Switch
- [EC] Pressure Level Transmitter
- [LR] Loop Power Indicator
- [SC] Vibrating Probe Level Switch
- [SC] Tuning Fork Level Switch
- [EB] RF-Capacitance Level Transmitter
- [SB] RF-Capacitance / Admittance Level Switch
- [EG] Magnetostrictive Level Transmitter
- [EF] By-Pass Level Transmitter
- [MEF] Mini By-Pass Level Transmitter
- [EA] Ultrasonic Level Transmitter
- [JFR] FMCW Radar Level Transmitter
- [EE] Electromechanical Level Measuring System
- [ED] Speed Monitor
- [SRT/SRS] Conveyer Belt Misalignment Switch & Safety Cable Pull Switch
- [PB/PM] Microprocessor Based Bargraphic Display Scaling Meter
- [BRD/AE] Valve and Controller for Dust Collector System
- [BAS/BAH/BVP] Air Hammer
- [BVK/BVR/BVT] Pneumatic Vibrator



PLES

## FineTek Co., Ltd.

No.16, Tzuchiang St., Tucheng Industrial Park, New Taipei City 236, Taiwan  
 TEL: +886-2-2269-6789 FAX: +886-2-2268-6682  
 Email: info@fine-tek.com

## Fine automation (ShangHai) Co., Ltd.

No.451 DuHui Rd, MinHang District, Shanghai, China 201109  
 TEL: +86-21-6490-7260 FAX: +86-21-6490-7276  
 Email: info.sh@fine-tek.com

## FineTek Pte Ltd.

No. 11 Kaki Bukit Road 1, #04-01 Eunos  
 Technolink 415939, Singapore  
 TEL: +65-6452-6340 FAX: +65-6734-1878  
 Email: info.sg@fine-tek.com

## FineTeK GmbH

Frankfurter Str. 62, OG D-65428 Ruesselsehim, Germany  
 TEL: +49-(0)6142-17608-0 FAX: +49-(0)6142-17608-20  
 E-Mail: info@fine-tek.de



Distributor: